



TECHNICAL DATASHEET

LEAD - ACID STARTER BATTERY

| | | |
|-------------------------|-----------------|----------------|
| BATTERY TYPE SIN CARNET | 12V 45Ah | PS45C.0 |
| CATALOGUE NUMBER | | |

| GENERAL PROPERTIES | |
|----------------------------|-----------------|
| Case Type | L0 |
| Voltage (V) | 12 V |
| Capacity C20 | 45Ah |
| Cold cranking current -18° | 360A -(EN) |
| Charge condition | Wet |
| Technology | Pb - Sb |
| Weight | 9,3Kg (+/-1.5%) |

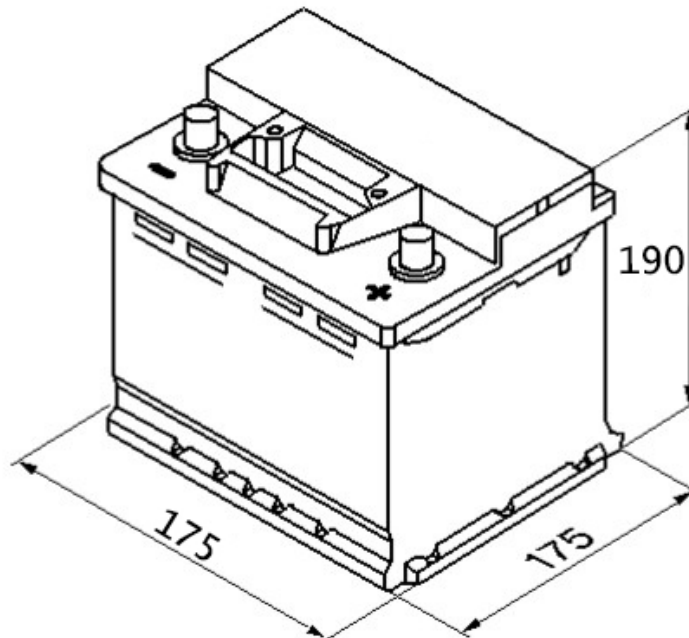
| TECHNICAL PROPERTIES | |
|----------------------|-------------------|
| Overall dimensions | 175 x 175 x 190mm |
| Case material | Polypropylene |
| Lid material | Polypropylene |
| Case colour | Black |
| Lid colour | Black |
| Degassing system | Central |
| Charge indicator | No |
| Terminal type | 1 (DIN) |
| Terminal layout | 0 |
| Base hold down | B13 |

| (+) PLATE | |
|-------------------------|-------------|
| Grid casting technology | Molten grid |
| Alloy type | Pb-Sb |

| (-) PLATE | |
|-------------------------|-------------|
| Grid casting technology | Molten grid |
| Alloy type | Pb - Sb |

| SEPARATOR | |
|-----------|-----------------|
| Type | Envelope |
| Material | Polyethylene HP |

| ELECTROLYTE | |
|-------------|-----------------------------------|
| Electrolyte | 1.270 (+/-0.01g/cm ³) |



NORMA DURACION DE VIDA CEI - EN - 50342-1

Fabricado en C.E. según las normas ISO 9001 – ISO 14001 e I.P.P.C.