

Motorcycle Batteries

BIKE
POWER **CLASSIC**



intAct Bike-Power Classic

Low-maintenance lead-acid battery | dry-charged, acid pack included



intAct
BATTERY - POWER

POWERFUL AND SUSTAINABLE

The solid battery without frills delivers high starting power, with regular maintenance it achieves a long service life and has excellent recycling properties. Our recommendation for an inexpensive standard motorcycle battery.

- » Reliable starting power at an excellent price.
- » Replacement recommendation for broken flooded battery.
- » Central degassing.
- » Only to be installed upright, as flooded battery with vent caps.

Datasheet

BIKE
POWER **CLASSIC**



Artnum.

IC CB12A-B

Japan-Code

CB12A-B

Volt

12V

Capacity

12 AH (c20)

CCR - 18°C (EN)

120 A (EN)

Electrolyte

diluted sulphuric acid

Electrolyte density

1,28 +/- 0,01 kg/l (25°)

Size (LxWxH)

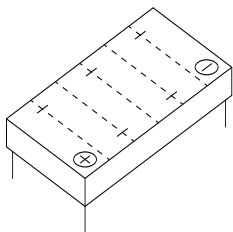
135 x 81 x 161 mm

Weight

4,5 kg

Pos. of Terminal

1

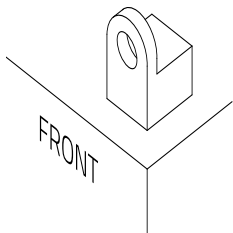


Technology

Low-maintenance lead-acid battery | dry-charged, acid pack included

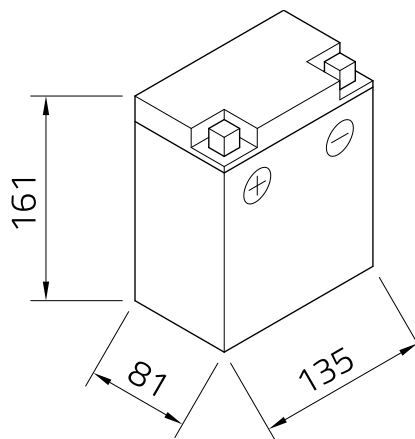
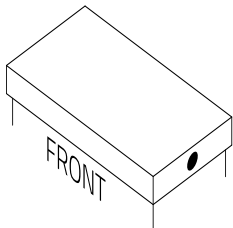
Terminal

B



Degassing

3



LANDPORT
BATTERIES

Landport Batteries
Ramgatseweg 63
4941VN Raamsdonksveer

+31 (0) 162 58 14 00
www.landportbv.com