

# Motorcycle Batteries

BIKE  
POWER **CLASSIC**



## intAct Bike-Power Classic

Low-maintenance lead-acid battery | dry-charged, acid pack included



**intAct**  
BATTERY - POWER

## POWERFUL AND SUSTAINABLE

The solid battery without frills delivers high starting power, with regular maintenance it achieves a long service life and has excellent recycling properties. Our recommendation for an inexpensive standard motorcycle battery.

- » Reliable starting power at an excellent price.
- » Replacement recommendation for broken flooded battery.
- » Central degassing.
- » Only to be installed upright, as flooded battery with vent caps.

# Datasheet

BIKE  
POWER **CLASSIC**



Artnum.

IC CB4L-B

Japan-Code

CB4L-B

Volt

12V

Capacity

4 AH (c20)

CCR - 18°C (EN)

20 A (EN)

Electrolyte

diluted sulphuric acid

Electrolyte density

1,28+/- 0,01Kg/l (25°)

Size (LxWxH)

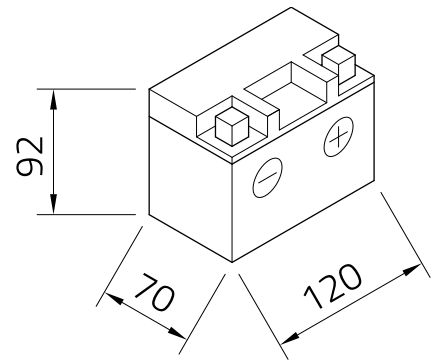
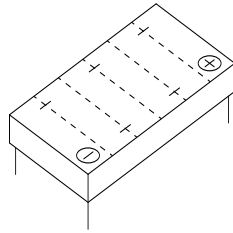
120 x 70 x 92 mm

Weight

1,7 kg

Pos. of Terminal

0

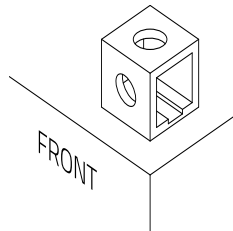


Technology

Low-maintenance lead-acid battery | dry-charged, acid pack included

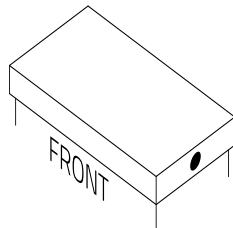
Terminal

A



Degassing

3



**LANDPORT**  
BATTERIES

Landport Batteries  
Ramgatseweg 63  
4941VN Raamsdonksveer

+31 (0) 162 58 14 00  
www.landportbv.com