



Raising the Standard on Dependable Deep-Cycle Power



- There's a **complete line** of 6- and 12-volt sizes available, including replacement sizes for Advance, Clarke, Tennant and many others.
- Super-insulating, micro-porous polyethylene **envelope separators** protect the plates, eliminate short circuits and **dramatically extend battery life.**
- Positive plates are **glass wrapped**, similar to motive power industrial batteries. The glass fibers imbed themselves into the surface of the plate to **add reinforcement...** like "re-bars" in concrete. This reduces plate shedding and **extends life.**
- An **optimized balance** of the crucial **active material** on the plates means that the battery works harder and **lives longer.**
- **Full-frame** positive and negative **plates** provides added **performance** and extends **life.**
- Precise manufacturing **process controls** deliver higher quality, performance, and **life.**
- Precision-filled, Ultra-Pure **electrolyte** extends **life.**
- More than **250 quality control checks** ensure the highest quality.

QUALITY SYSTEM
CERTIFIED
ISO 9001
ISO/TS 16949
ENVIRONMENTAL
SYSTEM CERTIFIED
ISO 14001

ISSA MEMBER
The Experts
on Cleaning and Maintenance



"POWERED FOR PERFORMANCE"®

DISTRIBUTED BY:

EAST PENN manufacturing co., inc.

Lyon Station, PA 19536-0147 • Phone: 610-682-6361 • Fax: 610-682-4781
Order Department Hotline: 610-682-4231 www.dekabatteries.com

SCRUBBER/SWEEPER BATTERIES



SCRUBBER/SWEEPER BATTERIES

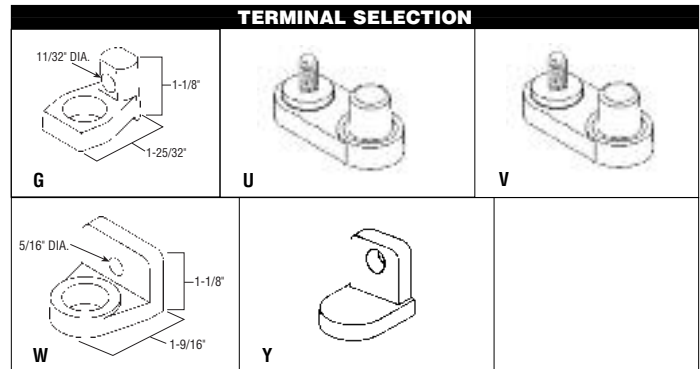
PART NO.	FOOTNOTES	PERFORMANCE LEVEL					APPROXIMATE WEIGHT lbs. (kgs.)		MAXIMUM OVERALL DIMENSIONS inches (mm)					
		20 AMP HR. RATE	6 AMP HR. RATE	MINS. DISC. @			WET	DRY	L	W	H			
				75 AMPS	25 AMPS	23 AMPS								
6-VOLT FLOOR SCRUBBER AND SWEEPER														
8C11	4,11,17,19,25,34,V	235	190	120	—	—	66.5	(30.2)	11½	(298)	7	(178)	11½	(292)
9C11	4,11,17,19,25,34,V	250	210	130	—	—	73	(33.1)	11½	(298)	7	(178)	11½	(292)
8C6V	4,11,17,19,25,34,V	330	270	170	—	—	97.5	(44.2)	11½	(298)	7	(178)	14%	(365)
8L16	4,11,17,19,25,34,W	370	295	190	—	—	113	(51.3)	11½	(298)	7	(178)	16½	(419)
GC10	11,36,U	215	162	105	395	—	60.5	(27.4)	10%	(260)	7%	(181)	10%	(276)
GC15	4,11,36,U	230	179	120	448	—	64	(29.0)	10%	(260)	7%	(181)	10%	(276)
GC25	4,11,36,U	235	193	132	488	—	68	(30.8)	10%	(260)	7%	(181)	10%	(276)
GC45	4,11,36,U	255	208	145	530	—	77	(34.9)	10%	(260)	7%	(181)	11%	(302)
6-VOLT & 12-VOLT GEL FLOOR SCRUBBER AND SWEEPER †														
8GU1	4,38,39,Y	31.6	28	5	47	—	23.4	(10.6)	7¾	(197)	5%	(130)	7¼	(184)
8GU1H	4,17,38,39,Y	31.6	28	5	47	—	23.4	(10.6)	8⅞	(211)	5%	(130)	7¼	(184)
8G24	4,17,38,39,G	73.6	64.5	33	140	—	52	(23.6)	10%	(276)	6%	(171)	9%	(251)
8GGC2	4,38,39,U	180	155	92	375	—	68.4	(31.0)	10%	(260)	7%	(181)	10%	(276)
12-VOLT FLOOR SCRUBBER AND SWEEPER														
8C12	11,17,25,34,V	195	160	90	—	—	116	(52.6)	15½	(394)	7	(178)	14¼	(362)
9C12	11,17,25,34,V	228	180	115	—	—	127	(57.6)	15½	(394)	7	(178)	14¼	(362)
DC24	11,17,35,U	75	—	—	130	150	45	(20.4)	10%	(273)	6%	(171)	9%	(238)
DC27	11,17,35,U	90	—	—	175	200	53	(24.0)	12½	(318)	6%	(171)	9%	(238)
DC31DT	11,17,21,22,35,U	105	—	—	185	225	59	(26.8)	13	(330)	6%	(171)	9½	(241)

All batteries manufactured with polypropylene cases and covers except where noted.
All batteries manufactured in black cases and black covers except where noted.

FOOTNOTES:

- 4 - Gray cover and Gray case
- 11 - Low maintenance - Low antimony grids
- 17 - Includes handle
- 19 - Includes lifting ledges
- 21 - Anchor lock elements
- 22 - Flush manifold vented cover
- 34 - Ratings after 15 cycles
- 35 - Deduct 15% from CCA and CA rating shown to allow for double insulation (glass mat).
- 36 - Peak performance capacity
- 38 - "Non-spillable" defined by DOT (Department of Transportation) definitions

- 39 - "Non-spillable" defined by ICAO (International Commercial Airline Organization) and IATA (International Airline Transport Association) definitions
- G - Offset post w/ horizontal hole, stainless steel 5/16" bolt and hex nut
- U - Molded-in offset SAE post & vertical 5/16" NEG., 5/16" POS. stainless steel studs and hex nuts
- V - Molded-in offset SAE post and vertical 5/16" NEG., 5/16" POS. stainless steel studs
- W - "L" type terminal w/ 5/16" diameter hole
- Y - Small L terminal with round hole



† **IMPORTANT GEL CHARGING INSTRUCTIONS: WARRANTY VOID IF OPENED OR IMPROPERLY CHARGED.** Do not install in a sealed container. Constant under or overcharging will damage any battery and shorten its life! Use a good constant potential, voltage-regulated charger. **For 12 volt batteries, charge to at least 13.8 volts but no more than 14.1 volts at 68°F (20°C). For 6-volt batteries, charge to at least 6.9 volts but no more than 7.05 volts at 68°F (20°C).** The open circuit voltage of a fully charged 6-volt battery is 6.4V at 68°F (20°C). However, as the battery charges, the building internal pressure (voltage) causes resistance to the charge. Therefore, the on-charge voltage must be higher (at least 6.9V) to overcome this internal pressure (voltage) during charging.