



# TECHNICAL DATASHEET

ACID STARTER BATTERY

<b>BATTERY TYPE SILVER SEA</b>	<b>12V 90Ah</b>	<b>LT90.0</b>
CATALOGUE NUMBER		

GENERAL PROPERTIES	
Case Type	LB5
Voltage (V)	12 V
Capacity C20	90 Ah
Cold cranking current -18°	760A -(EN)
Charge condition	Wet
Technology	Calcium-Calcium
Weight	22,1Kg (+/-1.5%)

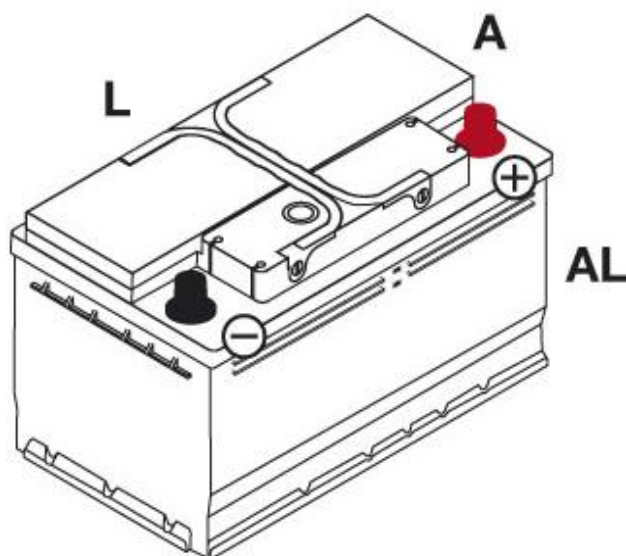
TECHNICAL PROPERTIES	L x A x AL
Overall dimensions	354 x 175 x 175mm
Case material	Polypropylene
Lid material	Polypropylene
Case colour	Black
Lid colour	Black
Degassing system	Central
Charge indicator	NO
Terminal type	1 (DIN)
Terminal layout	0
Base hold down	B13

(+ ) PLATE	
Grid casting technology	Expanded grid
Alloy type	Pb - Ca

(-) PLATE	
Grid casting technology	Expanded grid
Alloy type	Pb - Ca

SEPARATOR	
Type	Envelope
Material	Polyethylene HP

ELECTROLYTE	
Electrolyte	1.270 (+/-0.01g/cm <sup>3</sup> )



**NORMA DURACION DE VIDA** CEI - EN - 50342-1

Fabricado en C.E. según las normas ISO 9001 – ISO 14001 e I.P.P.C.